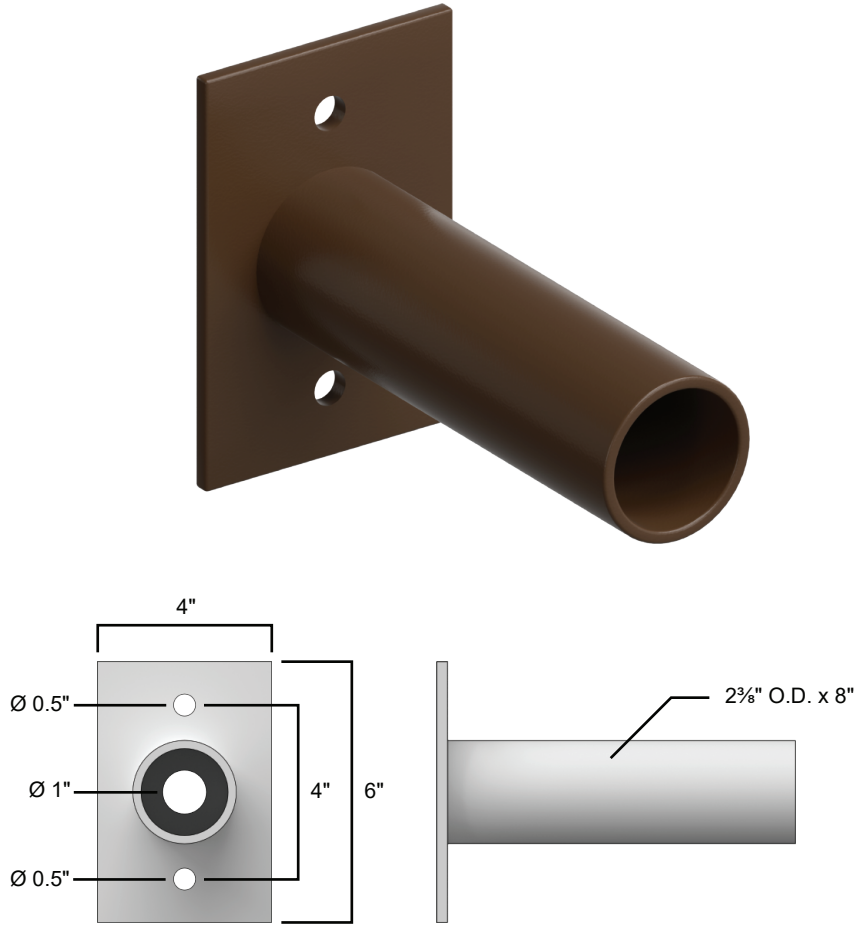


## AVPL Custom Accessories BOHT- Bolt On Horizontal Tenon



### Materials

Tenon arms fabricated from 2 3/8" O.D. A500 grade B structural steel schedule 40 tube.

Mounting plate fabricated from 1/4" thick steel plate.

Stainless steel hardware.

TGIC thermoset polyester powder coat finish is electrostatically applied at a 3.0 mil nominal thickness. A five stage metal pre-treatment process and sealer provide maximum corrosion resistance. The powder top coat is baked in excess of 400 degrees for supreme endurance.

## Ordering Information

Arm	Mounting	Tenon Options		Finish
<b>AVPL BOHT</b>  <input type="checkbox"/>	<b>Drilled</b>  <input type="checkbox"/> Square Pole <input type="checkbox"/> Wall Mount.....	<b>Tenon Size</b>  <input type="checkbox"/> 2 3/8" O.D. <input type="checkbox"/> 2 1/2" O.D.	<b>Tenon Length</b>  <input type="checkbox"/> 4" <input type="checkbox"/> 6" <input type="checkbox"/> 8"	<input type="checkbox"/> Dark Bronze  <input type="checkbox"/> Black  <input type="checkbox"/> White  <input type="checkbox"/> Grey  <input type="checkbox"/> Green