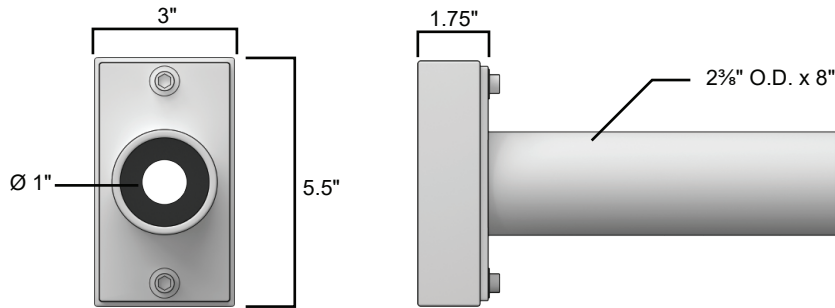


AVPL Custom Accessories UBOHT- Universal Bolt On Horizontal Tenon



Materials

Tenon arms fabricated from 2 3/8" O.D. A500 grade B structural steel schedule 40 tube.

Mounting plate fabricated from 1/4" thick steel plate.

Stainless steel hardware.

TGIC thermoset polyester powder coat finish is electrostatically applied at a 3.0 mil nominal thickness. A five stage metal pre-treatment process and sealer provide maximum corrosion resistance. The powder top coat is baked in excess of 400 degrees for supreme endurance.

Ordering Information

Arm	Options		Finish
<p>AVPL UBOHT</p> <input type="checkbox"/>	<p>Arm Size</p> <input type="checkbox"/> 2 3/8" O.D. <input type="checkbox"/> 2 7/8" O.D.	<p>Arm Length</p> <input type="checkbox"/> 4" <input type="checkbox"/> 6" <input type="checkbox"/> 8"	<input type="checkbox"/> DBZ (Dark Bronze) <input type="checkbox"/> BLK (Black) <input type="checkbox"/> WHT (White) <input type="checkbox"/> GRY (Grey) <input type="checkbox"/> GRN (Green)

ORDERING EXAMPLE

AVPL UBOHT - 238 - 8 - DBZ