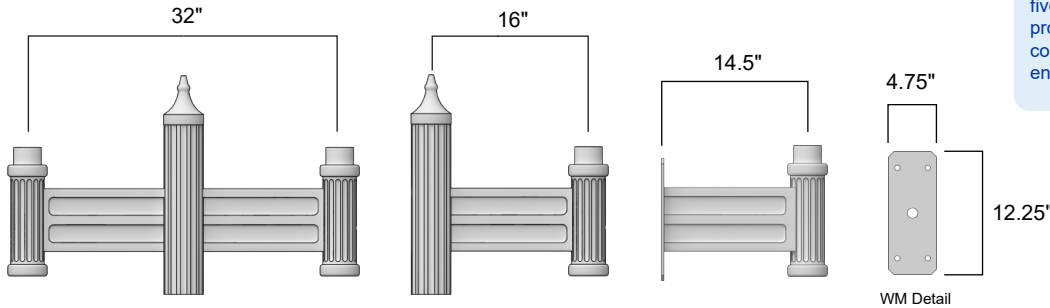
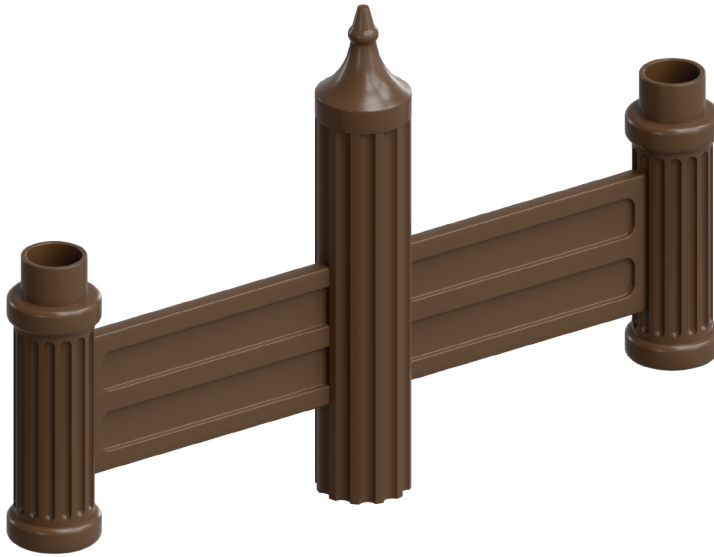


AVPL AV-A - Post Top Arm



Description

This versatile arm is suited for traditional and contemporary fixtures. The AV-A PT arm is ideal for courtyards, pathways, municipal, and commercial decorative light pole applications.

Materials

Decorative cast aluminum and extruded aluminum pole or wall bracket mounting.

Mounts to 2 3/8" or 2 7/8" O.D. tenon.

Extruded aluminum, Schedule 40 wall thickness.

6061 alloy T-6 temper with cast aluminum slip fitter.

Available with CB (Center Straight Bar) or CS (Center Scroll Bar).

Stainless steel hardware.

TGIC thermoset polyester powder coat finish is electrostatically applied at a 3.0 mil nominal thickness. A five stage metal pre-treatment process and sealer provide maximum corrosion resistance. The powder top coat is baked in excess of 400 degrees for supreme endurance.

Ordering Information

| Arm | Mounting | Finish |
|---|--|---|
| AVPL AV-A PT <input type="checkbox"/> | <input type="checkbox"/> 1..... ○ | <input type="checkbox"/> Dark Bronze <input type="checkbox"/> Black <input type="checkbox"/> White <input type="checkbox"/> Grey <input type="checkbox"/> Green |
| | <input type="checkbox"/> 2-90..... ○○ | |
| | <input type="checkbox"/> 2-180..... ○○○ | |
| | <input type="checkbox"/> 3-90..... ○○○○ | |
| | <input type="checkbox"/> 3-120..... ○○○○ | |
| | <input type="checkbox"/> 4-90..... ○○○○ | |
| | <input type="checkbox"/> 5-90..... ○○○○ | |
| | <input type="checkbox"/> Wall Mount..... ○ | |