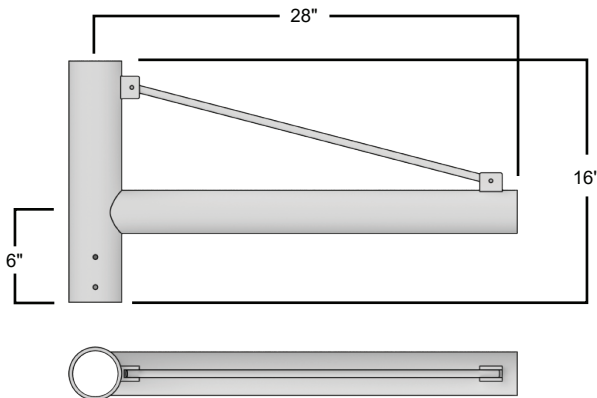


AVPL AXL-ROD



Description

The AXL-Rod Arm is ideal for courtyards, pathways, municipal, and commercial decorative light pole applications. Mountable on steel or aluminum poles, existing or new.

Materials

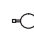

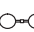


Tube arm fabricated from 2 $\frac{7}{8}$ " O.D. A500 grade B structural steel schedule 40 tube.

Center tube fabricated from 3 $\frac{1}{2}$ " O.D. A500 grade B structural steel schedule 40 tube.

Stainless steel hardware.

TGIC thermoset polyester powder coat finish is electrostatically applied at a 3.0 mil nominal thickness. A five stage metal pre-treatment process and sealer provide maximum corrosion resistance. The powder top coat is baked in excess of 400 degrees for supreme endurance.

Ordering Information

Arm	Mounting	Finish
AVPL - AXL-ROD <input type="checkbox"/>	<input type="checkbox"/> 1-90 	<input type="checkbox"/> Dark Bronze <input type="checkbox"/> Black <input type="checkbox"/> White <input type="checkbox"/> Grey <input type="checkbox"/> Green
	<input type="checkbox"/> 2-90..... 	
	<input type="checkbox"/> 2-180..... 	
	<input type="checkbox"/> 3-90..... 	
	<input type="checkbox"/> 3-120..... 	
	<input type="checkbox"/> 4-90..... 