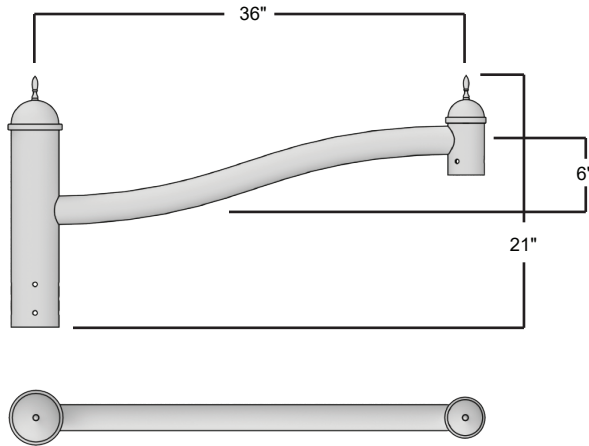


AVPL DAMA - Decorative Aluminum Mast Arm



Description

The Decorative Aluminum Mast Arm is ideal for courtyards, pathways, municipal, and commercial decorative light pole applications.

Materials

Shall be made from bent 6061-T6 aluminum tubing, 2½ O.D. welded to 4" O.D. aluminum tubing






Mechanically attaches to 3" - 3½" O.D. tenon

Two sets of four ¾ - 16 S316 screws and provided with one ¾ - 16 x 4" thru-bolt, field drilling required

Stainless steel hardware

TGIC thermoset polyester powder coat finish is electrostatically applied at a 3.0 mil nominal thickness. A five stage metal pre-treatment process and sealer provide maximum corrosion resistance. The powder top coat is baked in excess of 400 degrees for supreme endurance.

Ordering Information

Arm	Mounting	Finish
AVPL - DAMA <input type="checkbox"/>	<input type="checkbox"/> 1..... 	<input type="checkbox"/> Dark Bronze
	<input type="checkbox"/> 2-90..... 	<input type="checkbox"/> Black
	<input type="checkbox"/> 2-180..... 	<input type="checkbox"/> White
	<input type="checkbox"/> 3-90..... 	<input type="checkbox"/> Grey
	<input type="checkbox"/> 4-90..... 	<input type="checkbox"/> Green