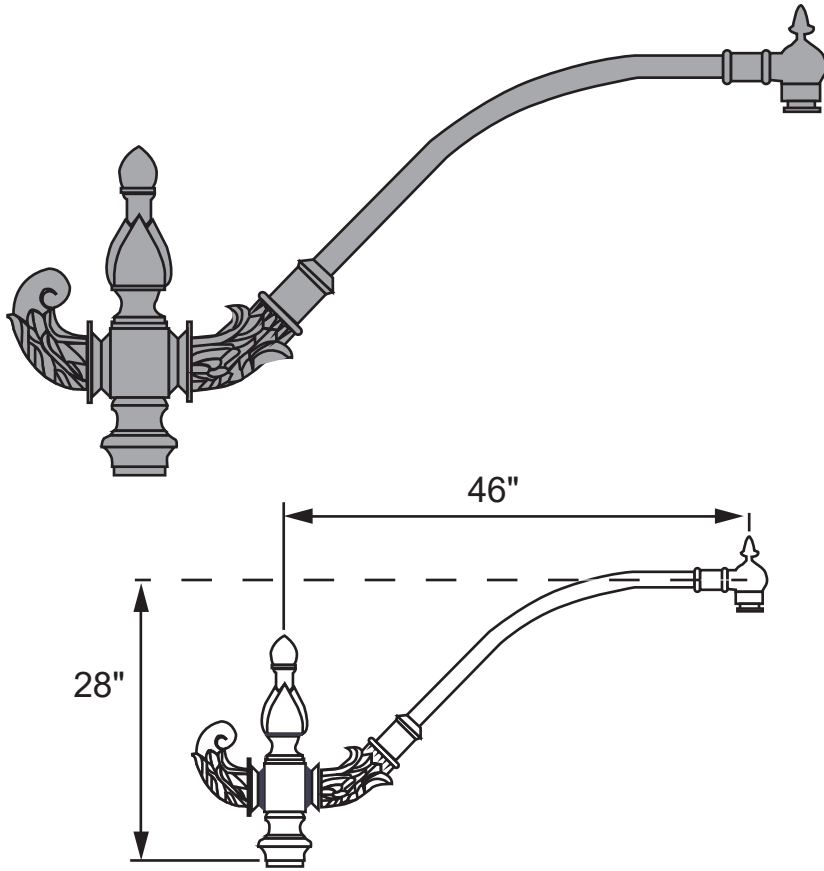


AVPL PY-PM - PY Pendant Mount Arm



Description

Decorative cast aluminum pendant mount. This versatile decorative arm is ideal for traditional fixtures. The AVPL PY-PM arm works for any commercial, municipality, or design build lighting application.

Materials

Decorative cast and extruded aluminum.

Stainless steel hardware.

TGIC thermoset polyester powder coat finish is electrostatically applied at a 3.0 mil nominal thickness. A five stage metal pre-treatment process and sealer provide maximum corrosion resistance. The powder top coat is baked in excess of 400 degrees for supreme endurance.

Ordering Information

Arm	Mounting	Finish
<input type="checkbox"/> AVPL PY-PM	<input type="checkbox"/> 1..... ○	<input type="checkbox"/> Dark Bronze <input type="checkbox"/> Black <input type="checkbox"/> White <input type="checkbox"/> Grey <input type="checkbox"/> Green
	<input type="checkbox"/> 2-180..... ○○	