

AVPL SHA-CB - Shepherd's Hook Arm Center Bar



Description

The SHA-CB arm is ideal for courtyards, pathways, municipal, and commercial decorative light pole applications.

Materials

Mounts to 3" O.D. tenon

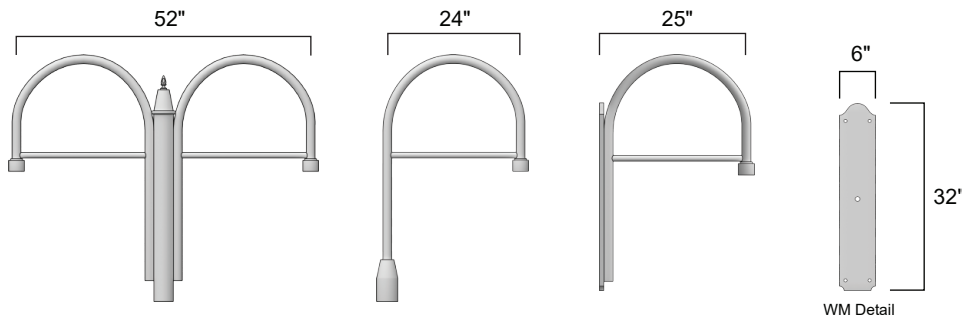
Extruded aluminum, Schedule 40 wall thickness

6061 alloy T-6 temper with cast aluminum slip fitter

Center Straight Bar

Stainless steel hardware

TGIC thermoset polyester powder coat finish is electrostatically applied at a 3.0 mil nominal thickness. A five stage metal pre-treatment process and sealer provide maximum corrosion resistance. The powder top coat is baked in excess of 400 degrees for supreme endurance.



Ordering Information

Arm	Mounting	Finish
AVPL - SHA-CB <input type="checkbox"/>	<input type="checkbox"/> 1..... ○	<input type="checkbox"/> Dark Bronze
	<input type="checkbox"/> 2-90..... ○○	<input type="checkbox"/> Black
	<input type="checkbox"/> 2-180..... ○○○	<input type="checkbox"/> White
	<input type="checkbox"/> 3-90..... ○○○○	<input type="checkbox"/> Grey
	<input type="checkbox"/> 3-120..... ○○○○	<input type="checkbox"/> Green
	<input type="checkbox"/> 4-90..... ○○○○○	
	<input type="checkbox"/> Wall Mount..... ○	