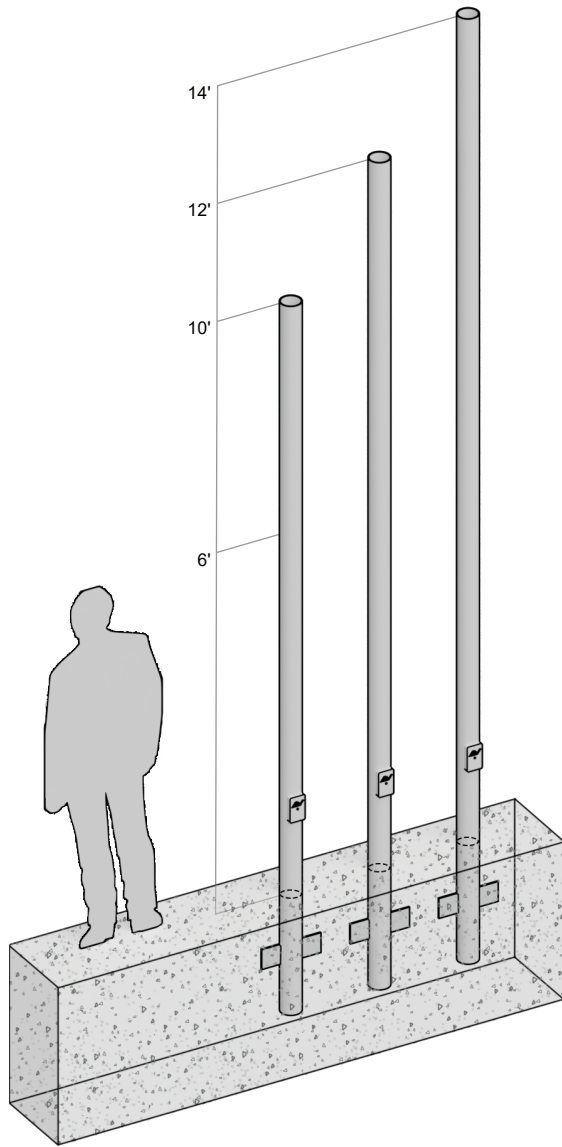


## AVPL RSA- DB 4" - Round Straight Aluminum Direct Burial (.125 Standard Wall)



### Steel Pole Specifications

**DIRECT BURIAL POLES:** One-piece extruded 6063-T6 Aluminum Alloy tube treated to a T6 temper.

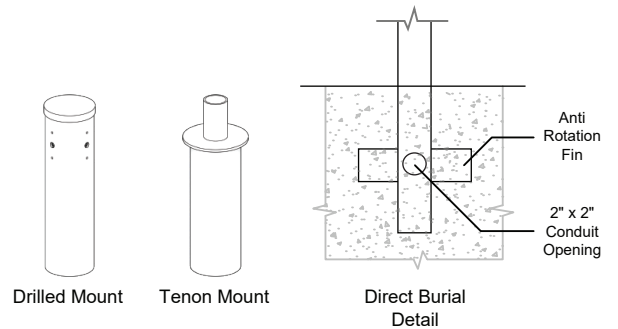
**GROUNDING:** 3/8"-16 Threaded Stud welded to inner shaft wall opposite Hand Hole. Flat Washer and Hex Nut provided.

**HAND HOLE:** Reinforced 3" x 5" Hand Hole is located 18" above grade. Cover and attachment hardware provided.

**HARDWARE:** S304 Stainless Steel

**TOP CAP:** Removable Top Cap provided with drill-mount poles.

**FINISH:** TGIC thermoset polyester powder coat finish is electrostatically applied at a 3.0 mil nominal thickness. A five stage metal pretreatment process and sealer provide maximum corrosion resistance. The powder top coat is baked in excess of 400°F for supreme endurance.



## Ordering Information

Pole Schedule				Direct Burial	Mounting	Finish
Catalog Number	Pole Height	Shaft Size	Wall Gauge		Drilled	
<input type="checkbox"/> RSA DB 104-125	10'	4"	.125	Extends 48" below grade	<input type="checkbox"/> 1.....	<input type="checkbox"/> Dark Bronze
<input type="checkbox"/> RSA DB 124-125	12'	4"	.125	Anti-Rotation fin located 24" below grade	<input type="checkbox"/> 2-90.....	<input type="checkbox"/> Black
<input type="checkbox"/> RSA DB 144-125	14'	4"	.125		<input type="checkbox"/> 2-180.....	<input type="checkbox"/> White
					<input type="checkbox"/> 3-90.....	<input type="checkbox"/> Grey
					<input type="checkbox"/> 4-90.....	<input type="checkbox"/> Green
					Tenon	
					<input type="checkbox"/> PT23 (2 3/8 O.D. x 4")	
					<input type="checkbox"/> PT27 (2 7/8 O.D. x 4")	