

## AVPL BXC - Pendant Mount Arm



### Description

This versatile arm is suited for traditional and contemporary fixtures. The BXC arm is ideal for courtyards, pathways, municipal, and commercial decorative light pole applications.

### Materials

Decorative cast aluminum and extruded aluminum pole or wall bracket mounting.

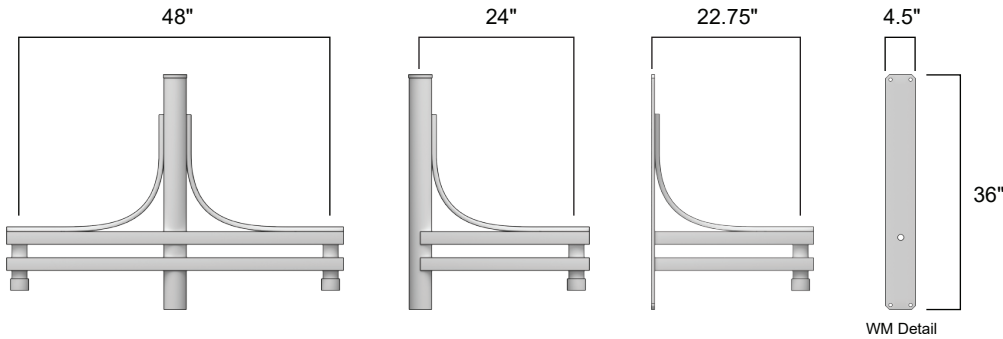
Mounts to 2 7/8" O.D. tenon.

Extruded aluminum, Schedule 40 wall thickness.

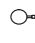

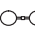
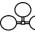

6061 alloy T-6 temper with cast aluminum slip fitter.

Stainless steel hardware.

TGIC thermoset polyester powder coat finish is electrostatically applied at a 3.0 mil nominal thickness. A five stage metal pre-treatment process and sealer provide maximum corrosion resistance. The powder top coat is baked in excess of 400 degrees for supreme endurance.



## Ordering Information

Arm	Mounting	Finish
<b>AVPL BXC</b> <input type="checkbox"/>	<input type="checkbox"/> 1..... 	<input type="checkbox"/> Dark Bronze
	<input type="checkbox"/> 2-90..... 	<input type="checkbox"/> Black
	<input type="checkbox"/> 2-180..... 	<input type="checkbox"/> White
	<input type="checkbox"/> 3-90..... 	<input type="checkbox"/> Grey
	<input type="checkbox"/> 4-90..... 	<input type="checkbox"/> Green
	<input type="checkbox"/> Wall Mount..... 