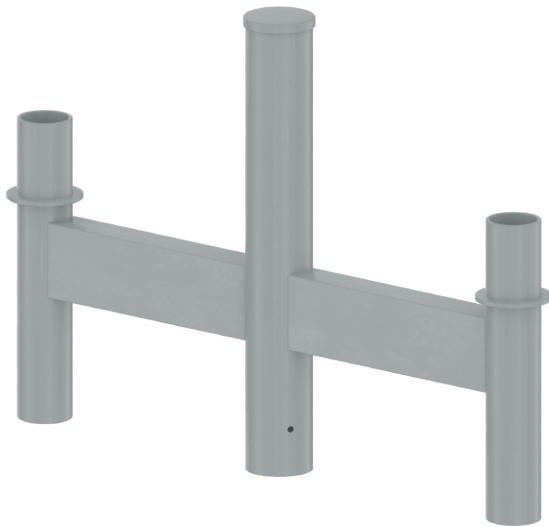


Job Name: _____ Location: _____ Quote: _____
 Client Name: _____ Type: _____ Quote Date: _____



DESCRIPTION

This versatile arm is suited for traditional and contemporary fixtures. The AXO-PT arm is ideal for courtyards, pathways, municipal, and commercial decorative light pole applications.

FEATURES

PT23 (Ø2.375" O.D. x 4" Tenon) standard fixture mounting.

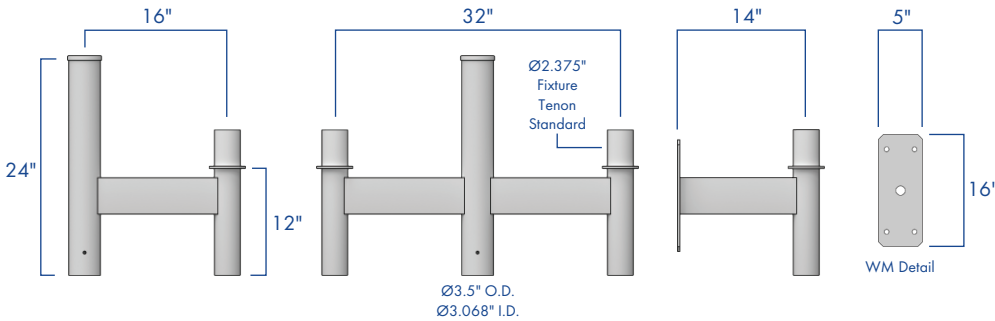
Center tube fabricated from 3.5" O.D. T6063 extruded aluminum pipe.

Outer tubes fabricated from 2.875" O.D. T6063 extruded aluminum pipe.

Arms fabricated from 2"x4" T6063 extruded aluminum.

Stainless steel hardware.

TGIC thermoset polyester powder coat finish is electrostatically applied at a 3.0 mil nominal thickness. A five stage metal pre-treatment process and sealer provide maximum corrosion resistance. The powder top coat is baked in excess of 400 degrees for supreme endurance.



ORDERING INFORMATION

AVPL -

ARM	MOUNTING	FINISH
AXO-PT	1-90..... ○	DARK BRONZE
	2-90..... ○○	BLACK
	2-180..... ○○	WHITE
	3-180..... ○○○	GREY
	3-90..... ○○○	GREEN
	3-120..... ○○○	
	4-90..... ○○○○	
	5-90..... ○○○○	
	WALL MOUNT..... ○	

CONTACT FACTORY FOR
EXTRA MOUNTING OPTIONS

ALL RAL COLORS
AVAILABLE