



AVA-PM

PENDANT MOUNT ARM

AV POLES & LIGHTING
 43827 Division St.
 Lancaster, CA 93535
 Toll Free: (844) 770-AVPL
 Fax: (661) 945-2764
 sales@avpltg.com
 www.avpltg.com

POLES & LIGHTING

Job Name: _____

Location: _____

Quote: _____

Client Name: _____

Type: _____

Quote Date: _____

DESCRIPTION

This versatile arm is suited for traditional and contemporary fixtures. The AVA-PM arm is ideal for courtyards, pathways, municipal, and commercial decorative light pole applications.

FEATURES

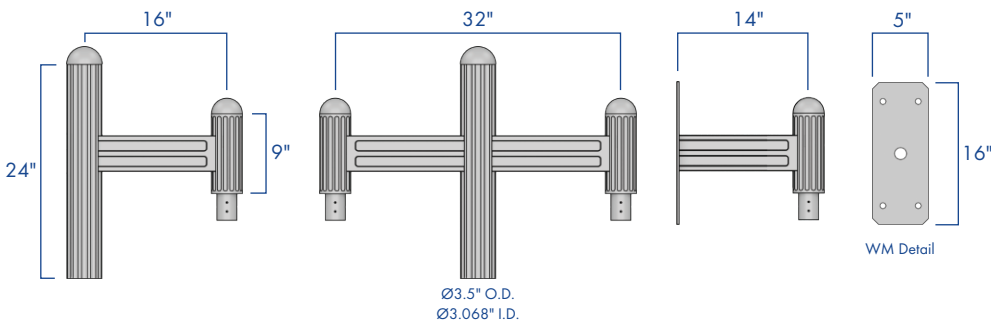
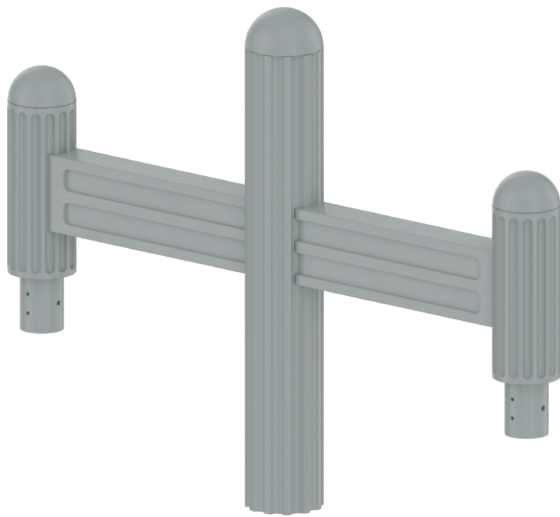
Pendant mount standard fixture mounting.

Decorative extruded aluminum pole or wall bracket mounting.

Extruded aluminum, Schedule 40 wall thickness center pipe mounts to 2 $\frac{3}{8}$ " or 2 $\frac{7}{8}$ " O.D. tenon.

Stainless steel hardware.

TGIC thermoset polyester powder coat finish is electrostatically applied at a 3.0 mil nominal thickness. A five stage metal pre-treatment process and sealer provide maximum corrosion resistance. The powder top coat is baked in excess of 400 degrees for supreme endurance.



ORDERING INFORMATION

AVPL -

ARM	MOUNTING	FINISH
AVA-PM	1-90..... ○	DARK BRONZE
	2-90..... ○○	BLACK
	2-180..... ○○	WHITE
	3-90..... ○○○	GREY
	3-120..... ○○○	GREEN
	4-90..... ○○○○	
	WALL MOUNT..... ○	

ALL RAL COLORS AVAILABLE