



# AMA ALUMINUM MAST ARM

AV POLES & LIGHTING  
43827 Division St.  
Lancaster, CA 93535  
Toll Free: (844) 770-AVPL  
Fax: (661) 945-2764  
sales@avpltg.com  
www.avpltg.com

POLES & LIGHTING

Job Name: \_\_\_\_\_

Location: \_\_\_\_\_

Quote: \_\_\_\_\_

Client Name: \_\_\_\_\_

Type: \_\_\_\_\_

Quote Date: \_\_\_\_\_

## DESCRIPTION

The Aluminum Mast Arm is ideal for front row car dealerships, tennis courts, and any other applications that require high forward lumen output.

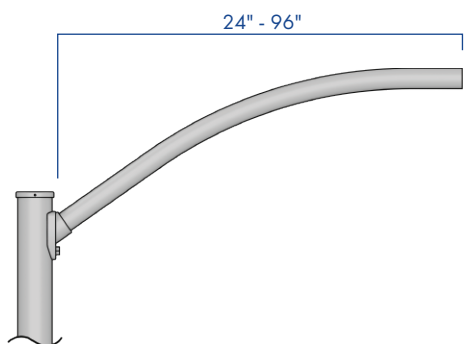
## FEATURES

2.375" O.D. schedule 40 (T20) 6063 T6 aluminum alloy tube with A356 cast aluminum collar.

Welds onto new or existing specified round or square aluminum pole.

Stainless steel hardware.

TGIC thermoset polyester powder coat finish is electrostatically applied at a 3.0 mil nominal thickness. A five stage metal pre-treatment process and sealer provide maximum corrosion resistance. The powder top coat is baked in excess of 400 degrees for supreme endurance.



## ORDERING INFORMATION

AVPL -

ARM	ARM LENGTH	MOUNTING	FINISH
AMA	24"	1-90.....	DARK BRONZE
	48"	2-90.....	BLACK
	72"	2-180.....	WHITE
	96"	3-90.....	GREY
		3-120.....	GREEN
		4-90.....	

ALL RAL COLORS  
AVAILABLE