

## SHEPHERD'S HOOK ARM CENTER SCROLL

### DESCRIPTION

This versatile arm is suited for traditional and contemporary fixtures. The SHA-CS arm is ideal for courtyards, pathways, municipal, and commercial decorative light pole applications.

### FEATURES

Mounts to 3" O.D. tenon.

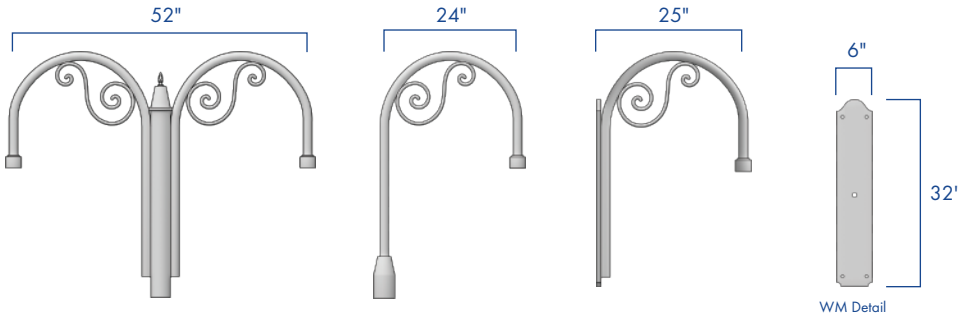
Extruded aluminum, Schedule 40 wall thickness.

6061 alloy T-6 temper with cast aluminum slip-fitter.

Center decorative scroll.

Stainless steel hardware.

TGIC thermoset polyester powder coat finish is electrostatically applied at a 3.0 mil nominal thickness. A five stage metal pre-treatment process and sealer provide maximum corrosion resistance. The powder top coat is baked in excess of 400 degrees for supreme endurance.



SUITABLE FOR  
**WET**  
LOCATIONS

## ORDERING INFORMATION

AVPL -

ARM	MOUNTING	FINISH
SHA-CS	1-90..... ○	DARK BRONZE
	2-90..... ○○	BLACK
	2-180..... ○○	WHITE
	3-90..... ○○○	GREY
	3-120..... ○○○	GREEN
	4-90..... ○○○○	
	WALL MOUNT..... ○	

CONTACT  
FACTORY FOR  
DRILLING OPTIONS

ALL RAL COLORS  
AVAILABLE