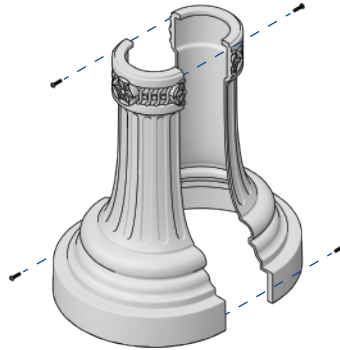
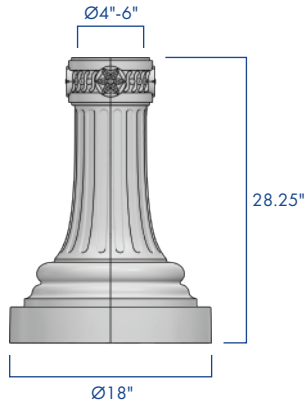


LANCASTER SPLIT BASE (2 PIECE)



DESCRIPTION

The LAN split base is ideal for courtyards, pathways, municipal, and commercial decorative light pole applications.

FEATURES

Clamps around 4", 5", and 6" O.D. smooth or fluted round steel or aluminum shafts.

Two piece corrosion resistant cast aluminum construction with minimum wall thickness of .210"

Stainless steel hardware.

TGIC thermoset polyester powder coat finish is electrostatically applied at a 3.0 mil nominal thickness. A five stage metal pre-treatment process and sealer provide maximum corrosion resistance. The powder top coat is baked in excess of 400 degrees for supreme endurance.



SUITABLE FOR
WET
LOCATIONS

ORDERING INFORMATION

AVPL -

BASE	SHAFT OPENING	FINISH
LAN-SB	Ø4" ROUND SHAFT Ø5" ROUND SHAFT Ø6" ROUND SHAFT	DARK BRONZE BLACK WHITE GREY GREEN

ALL RAL COLORS
AVAILABLE