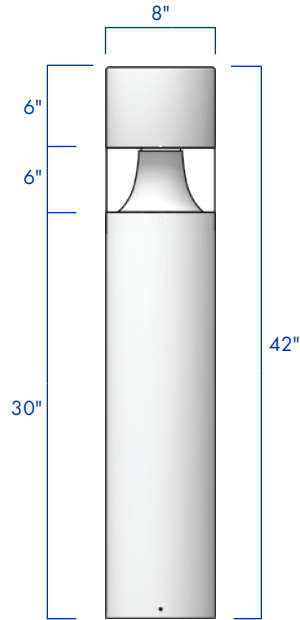


FLAT TOP ALUMINUM ROUND BOLLARD



DIMENSIONS



ANCHORAGE



DESCRIPTION

An outstanding traditional design and authentic appearance that is suitable for a variety of lighting applications. The FAB8 series by AV Poles and Lighting is ideal for courtyards, pathways, and all low level lighting applications.

FEATURES

- Round extruded aluminum construction
- Stainless steel hardware
- Acrylic injection molded lenses with smooth clear or opal finish.
- 0-10V dimmable driver
- 10-20KV surge protection
- IP67 rated modules - 5 year warranty
- Up to 180 Lumens Per Watt output
- Low maintenance cost with lifetime >54,000 hrs
- LED modules arranged in a Type V optic pattern for even light distribution.
- TGIC thermoset polyester powder coat finish is electrostatically applied at a 3.0 mil nominal thickness. A five stage metal pre-treatment process and sealer provide maximum corrosion resistance. The powder top coat is baked in excess of 400 degrees for supreme endurance.



ORDERING INFORMATION

AVPL -	BOLLARD	HEIGHT	WATTAGE	COLOR TEMP	VOLTAGE	OPTICS	FINISH	OPTIONS
	FAB8	24"	18W 350mA	3000K WARM WHITE	120-277V VOLTAGE SENSING	DR	DARK BRONZE	STANCHION MOUNT
		30"	26W 525mA	4000K NEUTRAL WHITE	347-480V VOLTAGE SENSING	IL	BLACK	HOUSE-SIDE SHIELD
		36"	36W 700mA	5000K COOL WHITE		OL	WHITE	PHOTOCELL BUTTON
		42"	52W 1050mA			WA*	GREY	
							GREEN	

*APPLY ILL OF 10% TO LUMEN OUTPUT CHART

ALL RAL COLORS AVAILABLE

LUMEN OUTPUT CHART

3K	18W 350mA	26W 525mA	36W 700mA	52W 1050mA	4K	18W 350mA	26W 525mA	36W 700mA	52W 1050mA	5K	18W 350mA	26W 525mA	36W 700mA	52W 1050mA
	Type V	2,462	3,349	4,348		5,865	Type V	2,592	3,515		4,579	6,156	Type V	2,617