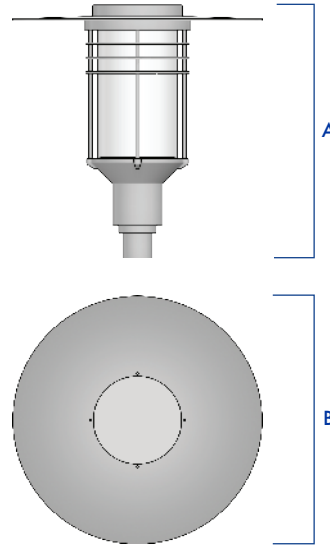


## BOARDWALK-32 SERIES



### DIMENSIONS



| FIXTURE | A     | B   |
|---------|-------|-----|
| BW-32   | 30.5" | 30" |

### DESCRIPTION

An outstanding traditional design and authentic appearance that is suitable for a variety of lighting applications. The BW-32 by AV Poles and Lighting is ideal for commercial, municipal, and design build lighting applications.





### FEATURES

- Spun aluminum reflector, cast aluminum body and fitter
- Stainless steel hardware
- Dark sky/full cutoff
- 0-10V dimmable driver
- 10-20KV surge protection
- IP67 rated modules - 5 year warranty
- Up to 130+ Lumens Per Watt output
- Low maintenance cost with lifetime >54,000 hrs
- Field-rotatable modules have multiple lighting distribution options with optical lens transmittance up to 96%
- Vandal resistant silicone molded optic won't turn brittle or yellow over time, and is heat resistant up to 200°C.
- TGIC thermoset polyester powder coat finish is electrostatically applied at a 3.0 mil nominal thickness. A five stage metal pre-treatment process and sealer provide maximum corrosion resistance. The powder top coat is baked in excess of 400 degrees for supreme endurance.



## ORDERING INFORMATION

AVPL -

| FIXTURE | OPTICS   | WATTAGE        | COLOR TEMP             | VOLTAGE                     | LENS  | MOUNTING                              | FINISH                      | OPTIONS                 |
|---------|--|----------------|------------------------|-----------------------------|---|---------------------------------------|-----------------------------|-------------------------|
| BW-32   | TYPE II   | 35W<br>700mA   | 3000K<br>WARM WHITE    | 120-277V<br>VOLTAGE SENSING | CSA<br>CLEAR SMOOTH<br>ACRYLIC                | PT23<br>Ø2.375" TENON                 | DARK BRONZE                 | LOUVERS<br>EXTERNAL     |
|         | TYPE III  | 55W<br>1050mA  | 4000K<br>NEUTRAL WHITE | 347-480V<br>VOLTAGE SENSING | CSP<br>CLEAR SMOOTH<br>POLYCARBONATE          | PT27<br>Ø2.875" TENON                 | BLACK                       | HOUSE-SIDE<br>SHIELD    |
|         | TYPE IV   | 71W<br>700mA   | 5000K<br>COOL WHITE    |                             | OSA*<br>OPAL SMOOTH<br>ACRYLIC                | PT30<br>Ø3" TENON                     | WHITE                       | PHOTOCELL<br>BUTTON     |
|         | TYPE V    | 106W<br>1050mA |                        |                             | OSP*<br>OPAL SMOOTH<br>POLYCARBONATE          |                                       | GREY                        | FSP211<br>MOTION SENSOR |
|         |  |                |                        |                             |   |                                       | GREEN                       | 3PIN<br>RECEPTACLE      |
|         |  |                |                        |                             |   |                                       |                             | 7PIN<br>RECEPTACLE      |
|         |  |                |                        |                             | *APPLY LLF OF<br>10% TO LUMEN<br>OUTPUT CHART | CONTACT<br>FACTORY FOR<br>OTHER SIZES | ALL RAL COLORS<br>AVAILABLE |                         |

## LUMEN OUTPUT CHART

| 3000K          |         |          |         |        | 4000K          |         |          |         |        | 5000K          |         |          |         |        |
|----------------|---------|----------|---------|--------|----------------|---------|----------|---------|--------|----------------|---------|----------|---------|--------|
|                | Type II | Type III | Type IV | Type V |                | Type II | Type III | Type IV | Type V |                | Type II | Type III | Type IV | Type V |
| 35W<br>700mA   | 4,169   | 4,295    | 4,129   | 4,177  | 35W<br>700mA   | 4,424   | 4,558    | 4,381   | 4,432  | 35W<br>700mA   | 4,496   | 4,632    | 4,452   | 4,504  |
| 55W<br>1050mA  | 5,670   | 5,842    | 5,615   | 5,680  | 55W<br>1050mA  | 6,017   | 6,199    | 5,958   | 6,028  | 55W<br>1050mA  | 6,114   | 6,300    | 6,055   | 6,125  |
| 71W<br>700mA   | 8,338   | 8,591    | 8,257   | 8,353  | 71W<br>700mA   | 8,848   | 9,116    | 8,762   | 8,864  | 71W<br>700mA   | 8,992   | 9,264    | 8,904   | 9,008  |
| 106W<br>1050mA | 11,340  | 11,683   | 11,230  | 11,360 | 106W<br>1050mA | 12,033  | 12,398   | 11,916  | 12,055 | 106W<br>1050mA | 12,229  | 12,599   | 12,110  | 12,251 |