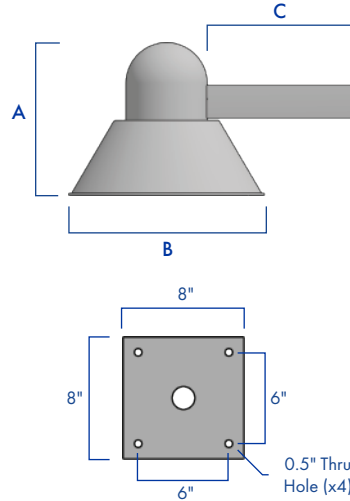


## ARCHITECTURAL BELL WALL MOUNT LUMINAIRE



### DIMENSIONS



FIXTURE	A	B	C
ENVSS1-WM	18.5"	24"	24"
ENVSS2-WM	16.5"	20"	18"

### DESCRIPTION

Decorative architectural design provides a unique lighting solution for a variety of applications. The ENVSS-WM series by AV Poles and Lighting is ideal for commercial, municipal, and design build lighting applications.





### FEATURES

- Spun aluminum construction
- Stainless steel hardware
- Dark sky/full cutoff
- 0-10V dimmable driver
- 10-20KV surge protection
- IP67 rated modules - 5 year warranty
- Up to 130+ Lumens Per Watt output
- Low maintenance cost with lifetime >54,000 hrs
- Field-rotatable modules have multiple lighting distribution options with optical lens transmittance up to 96%
- Vandal resistant silicone molded optic won't turn brittle or yellow over time, and is heat resistant up to 200°C.
- TGIC thermoset polyester powder coat finish is electrostatically applied at a 3.0 mil nominal thickness. A five stage metal pre-treatment process and sealer provide maximum corrosion resistance. The powder top coat is baked in excess of 400 degrees for supreme endurance.



## ORDERING INFORMATION

AVPL -

LUMINAIRE	OPTICS	WATTAGE	COLOR TEMP	VOLTAGE	MOUNTING	FINISH	OPTIONS
ENVSS1-WM	TYPE II 	35W 700mA    55W 1050mA	3000K WARM WHITE	120-277V VOLTAGE SENSING	WALL MOUNT	DARK BRONZE	HOUSE-SIDE SHIELD
ENVSS2-WM	TYPE III 	71W 700mA    106W 1050mA	4000K NEUTRAL WHITE	347-480V VOLTAGE SENSING		BLACK	PHOTOCELL BUTTON
	TYPE IV 	104W 700mA    156W 1050mA	5000K COOL WHITE			WHITE	FSP211 MOTION SENSOR
	TYPE V 	136W 700mA    205W 1050mA				GREY	3PIN RECEPTACLE
						GREEN	7PIN RECEPTACLE
		71W/106W MAX FOR ENVSS2-WM			CONTACT FACTORY FOR DRILLING OPTIONS	ALL RAL COLORS AVAILABLE	

## LUMEN OUTPUT CHART

		Type II	Type III	Type IV	Type V			Type II	Type III	Type IV	Type V			Type II	Type III	Type IV	Type V
		3000K	35W 700mA	4,169	4,295			4,129	4,177	4000K	35W 700mA			4,424	4,558	4,381	4,432
55W 1050mA	5,670		5,842	5,615	5,680	55W 1050mA	6,017	6,199	5,958		6,028	55W 1050mA	6,114	6,300	6,055	6,125	
71W 700mA	8,338		8,591	8,257	8,353	71W 700mA	8,848	9,116	8,762		8,864	71W 700mA	8,992	9,264	8,904	9,008	
106W 1050mA	11,340		11,683	11,230	11,360	106W 1050mA	12,033	12,398	11,916		12,055	106W 1050mA	12,229	12,599	12,110	12,251	
	Type II		Type III	Type IV	Type V		Type II	Type III	Type IV		Type V		Type II	Type III	Type IV	Type V	
	104W 700mA	12,507	12,886	12,386	12,530		104W 700mA	13,272	13,674	13,143	13,296		104W 700mA	13,487	13,896	13,356	13,512
	156W 1050mA	17,010	17,525	16,844	17,040		156W 1050mA	18,050	18,597	17,874	18,083		156W 1050mA	18,343	18,899	18,165	18,376
	136W 700mA	16,676	17,181	16,514	16,706		136W 700mA	17,696	18,232	17,524	17,728		136W 700mA	17,983	18,528	17,808	18,016
	205W 1050mA	22,680	23,367	22,459	22,721		205W 1050mA	24,067	24,796	23,833	24,110		205W 1050mA	24,457	25,198	24,220	24,501