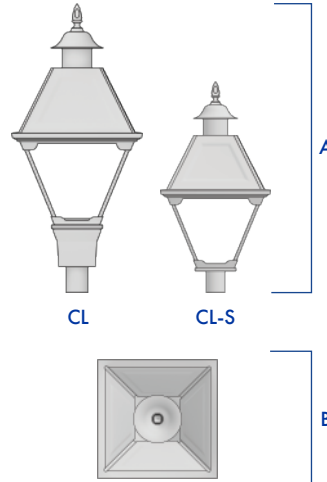


COACH LANTERN SERIES



DIMENSIONS



FIXTURE	A	B
CL	43"	17.5"
CL-S	27.75"	15"

DESCRIPTION

An outstanding traditional design and authentic appearance that is suitable for a variety of lighting applications. The CL series by AV Poles and Lighting is ideal for commercial, municipal, and design build lighting applications.

FEATURES

- Cast aluminum construction
- Stainless steel hardware
- Dark sky/full cutoff
- 0-10V dimmable driver
- 10-20KV surge protection
- IP67 rated modules - 5 year warranty
- Up to 130+ Lumens Per Watt output
- Low maintenance cost with lifetime >54,000 hrs
- Field-rotatable modules have multiple lighting distribution options with optical lens transmittance up to 96%
- Vandal resistant silicone molded optic won't turn brittle or yellow over time, and is heat resistant up to 200°C.
- TGIC thermoset polyester powder coat finish is electrostatically applied at a 3.0 mil nominal thickness. A five stage metal pre-treatment process and sealer provide maximum corrosion resistance. The powder top coat is baked in excess of 400 degrees for supreme endurance.







SUITABLE FOR
WET
LOCATIONS



ORDERING INFORMATION

AVPL -

FIXTURE	OPTICS	WATTAGE	COLOR TEMP	VOLTAGE	LENS	MOUNTING	FINISH	OPTIONS
CL	TYPE II 	35W 700mA	3000K WARM WHITE	120-277V VOLTAGE SENSING	CSA CLEAR SMOOTH ACRYLIC	PT23 Ø2.375" TENON	DARK BRONZE	HOUSE-SIDE SHIELD
CL-S	TYPE III 	55W 1050mA	4000K NEUTRAL WHITE	347-480V VOLTAGE SENSING	CSP CLEAR SMOOTH POLYCARBONATE	PT27 Ø2.875" TENON	BLACK	PHOTOCELL BUTTON
	TYPE IV 	71W 700mA	5000K COOL WHITE		CPA CLEAR PATTERNED ACRYLIC	PT30 Ø3" TENON	WHITE	FSP211 MOTION SENSOR
	TYPE V 	106W 1050mA			CPP CLEAR PATTERNED POLYCARBONATE		GREY	3PIN RECEPTACLE
					OSA* OPAL SMOOTH ACRYLIC		GREEN	7PIN RECEPTACLE
					OSP* OPAL SMOOTH POLYCARBONATE			
					*APPLY LLF OF 10% TO LUMEN OUTPUT CHART	CONTACT FACTORY FOR OTHER SIZES	ALL RAL COLORS AVAILABLE	

LUMEN OUTPUT CHART

3000K					4000K					5000K				
	Type II	Type III	Type IV	Type V		Type II	Type III	Type IV	Type V		Type II	Type III	Type IV	Type V
35W 700mA	4,169	4,295	4,129	4,177	35W 700mA	4,424	4,558	4,381	4,432	35W 700mA	4,496	4,632	4,452	4,504
55W 1050mA	5,670	5,842	5,615	5,680	55W 1050mA	6,017	6,199	5,958	6,028	55W 1050mA	6,114	6,300	6,055	6,125
71W 700mA	8,338	8,591	8,257	8,353	71W 700mA	8,848	9,116	8,762	8,864	71W 700mA	8,992	9,264	8,904	9,008
106W 1050mA	11,340	11,683	11,230	11,360	106W 1050mA	12,033	12,398	11,916	12,055	106W 1050mA	12,229	12,599	12,110	12,251