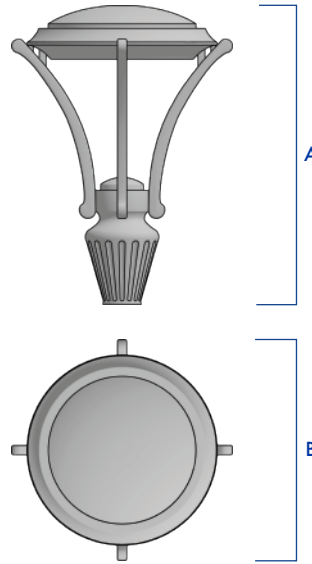


NOUVEAU LED LUMINAIRE



DIMENSIONS



FIXTURE	A	B
NOU	31.5"	23"

DESCRIPTION

An outstanding traditional design and authentic appearance that is suitable for a variety of lighting applications. The NOU by AV Poles and Lighting is ideal for commercial, municipal, and design build lighting applications.





FEATURES

- Cast aluminum construction
- Stainless steel hardware
- Dark sky/full cutoff
- 0-10V dimmable driver
- 10-20KV surge protection
- IP67 rated modules - 5 year warranty
- Up to 130+ Lumens Per Watt output
- Low maintenance cost with lifetime >54,000 hrs
- Field-rotatable modules have multiple lighting distribution options with optical lens transmittance up to 96%
- Vandal resistant silicone molded optic won't turn brittle or yellow over time, and is heat resistant up to 200°C.
- TGIC thermoset polyester powder coat finish is electrostatically applied at a 3.0 mil nominal thickness. A five stage metal pre-treatment process and sealer provide maximum corrosion resistance. The powder top coat is baked in excess of 400 degrees for supreme endurance.



ORDERING INFORMATION

AVPL -

LUMINAIRE	OPTICS	WATTAGE	COLOR TEMP	VOLTAGE	MOUNTING	FINISH	OPTIONS
NOU	TYPE II 	35W 700mA	3000K WARM WHITE	120-277V VOLTAGE SENSING	PT23 Ø2.375" TENON	DARK BRONZE	HOUSE-SIDE SHIELD
	TYPE III 	55W 1050mA	4000K NEUTRAL WHITE	347-480V VOLTAGE SENSING	PT27 Ø2.875" TENON	BLACK	PHOTOCELL BUTTON
	TYPE IV 	71W 700mA	5000K COOL WHITE		PT30 Ø3" TENON	WHITE	FSP211 MOTION SENSOR
	TYPE V 	106W 1050mA				GREY GREEN	3PIN RECEPTACLE 7PIN RECEPTACLE

CONTACT FACTORY FOR OTHER SIZES

ALL RAL COLORS AVAILABLE

LUMEN OUTPUT CHART

3000K		Type II	Type III	Type IV	Type V	4000K		Type II	Type III	Type IV	Type V	5000K		Type II	Type III	Type IV	Type V
	35W 700mA	4,169	4,295	4,129	4,177		35W 700mA	4,424	4,558	4,381	4,432		35W 700mA	4,496	4,632	4,452	4,504
	55W 1050mA	5,670	5,842	5,615	5,680		55W 1050mA	6,017	6,199	5,958	6,028		55W 1050mA	6,114	6,300	6,055	6,125
	71W 700mA	8,338	8,591	8,257	8,353		71W 700mA	8,848	9,116	8,762	8,864		71W 700mA	8,992	9,264	8,904	9,008
106W 1050mA	11,340	11,683	11,230	11,360	106W 1050mA	12,033	12,398	11,916	12,055	106W 1050mA	12,229	12,599	12,110	12,251			